

High Resolution

# UV Flatbed

PRINTING MACHINE



Autonomously R&D

**NC-UV0609PEIII**

# Source of Digital Solutions...

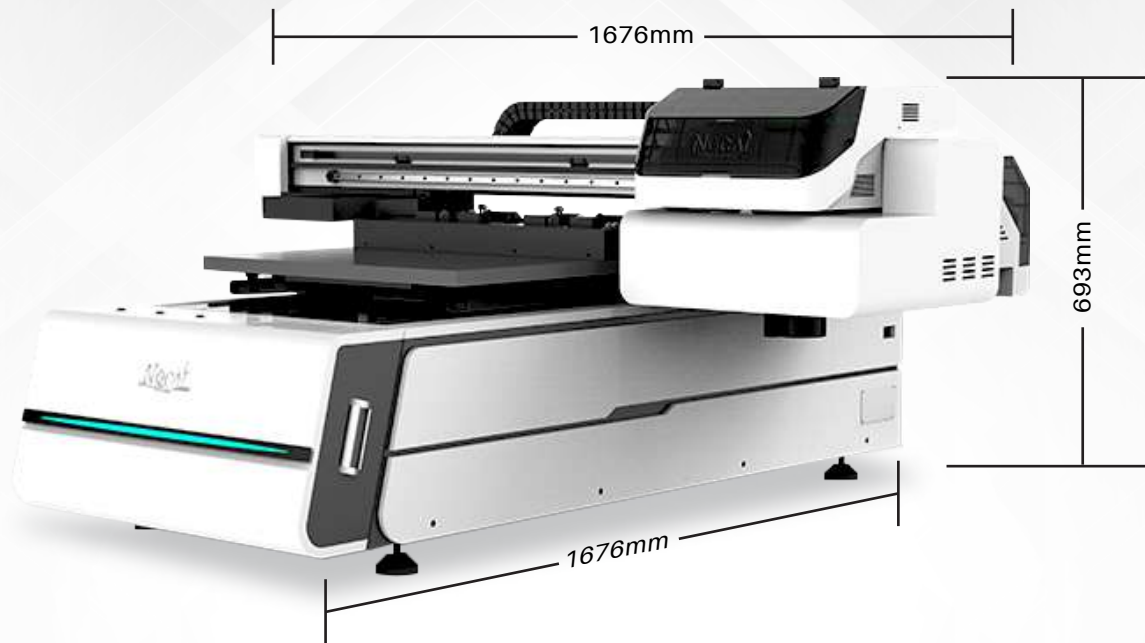
Digital Star Qatar has been leading the digital scene in Doha for over 10 years, as suppliers and distributors of signage, advertising and LED solutions. Our commitment to providing the best quality machinery and top-notch technology from around the world has enabled us to set new and improved standards in sign and digital printing industries. DSQ has developed into a true trendsetter and a reliable destination for customers seeking exhaustive custom and wholesale solutions. From sign makers, digital print houses, POS/POP makers, retail fit-out companies, to exhibition stand builders, construction companies and glass and aluminum fabricators industries, we promise to take your business to unprecedented levels



# PRODUCT OVERVIEW

## MULTIFUNCTIONAL FLAT/CYLINDER PRINTER

### 3D Emboss & Varnish + Cylinder Printer



360 Degree Cylinder Print



180mm Printing Height



White/Color/Varnish



Stable Performance

# PRODUCT OUTPUT



# TECHNICAL SPECIFICATION

**Model: NC-UV0609PE III**

Printing Size	600mm*900mm
Printhead	EPSON I1600-U1
Printing Version	Color, White & Varnish
Printing Height	0-180mm
Highest Printing Resulation	1200dpi (8 Pass)
Printing Mode	CMYK+W+V
Rip Software	FlexiRINT Mini UV Nocai Cloud Edition 19
Dimension	1676mm*1627mm*693mm(L*W*H)
Power Requirement	AC220/110 ±10, 50HZ~60HZ
Image Format	Tiff, Jpg, Eps, Pdf, Png, Ai, Psd
Environment	Temperature: 20°C-28°C, Humidity: 35%-65%
Equipment Weight	187KG
Ink Type	UV Ink



## TERMS AND CONDITIONS

1. Payment to be made in QR currency.
2. Payment Terms: As mentioned in Quotation.
3. Bank Details: -Bank Name: Qatar Islamic Bank  
Branch: Al Khour Branch  
Beneficiary Name: Digital Star Qatar  
Acc #: (0111453200015)  
Swift Code: (QISB - QAQA)  
IBAN: QA16QISB000000000111453200015.
4. Bank Charges: Any bank charges relevant to the above transactions will be to your Account
5. Any charges, duties, taxes or levies at the ports of entry will be to our account.
6. The charges of lodging, boarding and local conveyance of the technician will be to our account.
7. Any required electrical, mechanical & civil site preparation should be done by the customer according to our engineer's requirements.
8. Digital Star Qatar will not be held responsible for delays caused by any damage in the equipment due to shipment, unloading accidents and any related reasons, which is beyond our control.

9. The warranty will be 12 months from date of installation from Digital Star Qatar. Wear & tear, consumables are exempted and warranty can be claimed only if you use the Inks and Services from Digital Star Qatar.
10. Service will be free of cost within 12 months from the date of installation.
11. Any claim will be invoice directly to you then we will send for claiming procedure which will take 45-60 days, if the claim got approved credit note will issued directly.
12. Quotation will be valid for 7 days from here on.
13. Delivery: As mentioned in quotation



# DIGITAL STAR QATAR

## ديجيتال ستار قطر

DOHA | QATAR | P O BOX: 47663



+974 448 34 486



+974 441 63 788



info@digitalstarq.com



www.digitalstarq.com