

# PLATINUM HYBRID SERIES

Quality and Economy Together



DSJ5300 (5.30m)

Authorized Distributor:

**DIGITAL STAR QATAR**  
ديجيتال ستار قطر

# Source Of Digital Solutions

Digital Star Qatar has been leading the digital solution in Doha, for more than 10 years as a supplier and distributors for the digital sector. Our commitment to providing the best quality machinery with advanced technology, which can help your business to expand more with successful outcomes.

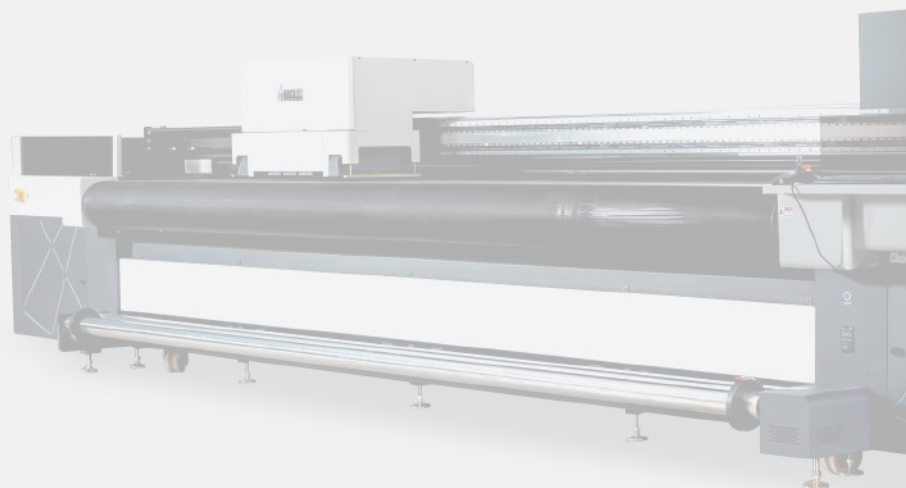
The world has enabled us the opportunity to set ultra-standards in signages and digital printing industries.

DSQ has developed into a true trendsetter and a reliable destination for customers seeking wholesale solutions. We help the sectors like sign makers, digital print houses, POS/POP makers, fit-out companies, event managements, and glass & aluminium fabrication industries. we promise to take your business to stand head.



## General Information & Highlights

1. The heavy-duty carriage is equipped with 32 konica print head to meet various high-speed UV printing requirements.
2. The body frame adopts the integral welding with heavy steel beam linear motor, metal, encode and large diameter roller to ensure the stability of overall structural and continuous printing.
3. independent 6-zone frequency conversion adsorption which ensure no wrinkling during printing.
4. Adopt the drag chain system imported from italy, with anti-collision function and anti-static technology as standard, to ensure the safety and stability when printing.
5. Adopt large pitch spiral mesh belt and special process treatment, with high precision, high strength and smooth adsorption.
6. Original handle control, foot control with humanized design which make printing more comfortable.
7. The full-auto intelligent guiding belt guiding system allow printing long format materials without deformation and deviation.



## Product Samples:



# Product Specifications

MACHINE MODEL	DSJ5300
Printing Technology	Piezo continuous drop-on demand (DOD)
Head Model	KONICA 6988H / 1024A
Print Head Control	Software Adjust Head temperature & Voltage
Print head Configuration	KONICA
Maximum Printing Size	5.30m
Print Resolution	600*2880dpi
Print Speed Up to	200m <sup>2</sup> /h
INK Type	Environmental friendly UV/ LED Curable Ink
Color Profile	KCMY (W optional) / KCMY Lc Lm (W optional)
Ink Supply System	Automatic continuous ink supply with vacuum negative pressure
Dielectric adsorption	Desktop Vacuum Adsorption, Zoning Control
Drying System	LED UV lamp Curing
Package Size	8276*2398*2100
Machine Size	8100*2100*1800
Table Pressure	25kg/ m <sup>2</sup>
Machine Weight	6 Tons
Printing Interface	PCIE System
Power Requirement	Main frame 220V±10% 50HZ 3300W /Fan device 220V±10% 50Hz 7800W UV 220V±10% 50HZ 5000W
Environmental Requirements	Temperature 15°C ~ 30°C Relative humidity 40% ~ 80%
RIP Software	Printfactory/Caldera/Photoprint
Functional configuration	Independent temperature control of the auxiliary ink tank, intelligent pressure negative pressure ink supply system, human engineering mechanics Design, Hand-held control, THK mute silent guide rail, Pedal assisted feeding, Double winding take-up and feeding, LED cold light source solidification

## SYSTEM REQUIREMENTS (PC's)

Operating System*	Windows 7 (64 Bit) / Windows 10 (64 Bit)
Processor	i5 - 2.2 GHz or faster
Memory (RAM)	8 GB or more
Video Card and Monitor(VGA)	1280x1024 or Higher Resolution is Recommended
Working Hard Disk Space	500 GB or more recommended
Hard-Disk File System	NTFS file system
Optical drive	DVD-ROM
Other requirements	Ethernet connection for network capable printers
	Available USB ports
Power Stabilizer	5000W

\* Note: You can use a laptop or desktop computer

\* Use the original operating system. If you are using pirated operating system, we are not responsible for any damage to machine workings, and also the warranty terms will become void.



## PLATINUM HYBRID SERIES

**DSJ5300(5.30m)**

# Terms and Conditions

1. Payment to be made in QR currency.
2. Payment Terms: As mentioned in Quotation.
3. Bank Details:

Bank Name	Branch	Beneficiary Name	Acc #	Swift Code
Qatar Islamic Bank	Al Khour Branch	Digital Star Qatar	0111453200015	QISB - QAQA
IBAN: QA16QISB000000000111453200015				

4. Bank Charges: Any bank charges relevant to the above transactions will be to your account.
5. Any charges, duties, taxes or levies at the ports of entry will be to our account.
6. The charges of loading, boarding and local conveyance of the technician will be to our account.
7. Any required electrical, mechanical and civil site preparation should be done by the customer according to our engineer’s requirements.
8. Digital Star Qatar will not be held responsible for delays caused by any damage in the equipment due to shipment, unloading accidents and any related reasons, which is beyond our control.
9. The warranty will be 12 months. Wear and tear, consumables are exempted .

## WARRANTY TERMS AND CONDITIONS

**A)** Warranty shall be applicable and valid for the Product from the date of Installation from Digital Star Qatar and can be claimed only if you use inks and services from digital star qatar.

**B)** This warranty shall NOT be transferred, negotiated, nor assigned to ANY third party.

**C) This warranty does not cover the following:**

- Consumables such as ink tube, air tube, ink filter, print head filter, ink pumb, pumb filter, water cooling (for UV Machines).
- Periodic maintenance kits and parts (e.g. Ink filter, Head Filter, Chiller water for UV Machine) requiring replacement due to normal wear and tear and/or end of life.
- Malfunction or damage resulting from any acts of nature (including but not limited to lightning, flood, earthquake, or fire) or force majeure.
- Entry of foreign matter to the product or exposure of the product to any foreign matter such as, but not limited to spillage of food or liquid hazard, moisture, insect infestation, dirt, corrosion, rust, and stain.

-Damage and defect resulting from the use of the Product other than its normal and customary use, (e.g. use of Product in excess of the monthly duty cycle), accident and/or misuse.

-Use of improper or incorrect electrical or voltage supply.

**D) This warranty becomes void when:**

- The equipment's serial number is removed, defaced and/or altered.
- The equipment is damaged from any natural disaster or any acts of God, and mishandling by the purchaser after the purchase of the product.
- The equipment has been tampered with and/or repaired by any person other than digital star qatar service department
- Usage on the product of any of non-genuine machine consumable products such as but not limited to ink, toner, refill kits, and continuous ink systems, and
- The equipment is loaned, transferred and/or assigned to other users.
- Usage of pirated software or operating system


10. Service will be free of cost within 12 months from the date of installation.

11. Any claim will be invoice directly to you then we will send for claiming procedure which will take 45-60 days, if the claim got approved credit note will issued directly.


12. Delivery: As mentioned in quotation

**DIGITAL STAR QATAR**  
ديجيتال ستار قطر

DOHA | QATAR | P O BOX: 47663

 +974 448 34 486

 [info@digitalstarq.com](mailto:info@digitalstarq.com)

 +974 441 63 788

 [www.digitalstarq.com](http://www.digitalstarq.com)