

**Mimaki**  
AUTHORISED PARTNER

# Tiger600-1800TS

Hi-Speed Sublimation

## Sustainable Fabric Printing Solution

EXPERT PRINTING  
MADE EASY



Fabric  
Printer

Width: 1.8m

**DIGITAL STAR QATAR**  
ديجيتال ستار قطر

# SOURCE OF DIGITAL SOLUTIONS

---

Digital Star Qatar has been leading the digital solution in Doha, for more than 10 years as a supplier and distributors for the digital sector. Our commitment to providing the best quality machinery with advanced technology, which can help your business to expand more with successful outcomes.

The world has enabled us the opportunity to set ultra-standards in signages and digital printing industries. DSQ has developed into a true trendsetter and a reliable destination for customers seeking wholesale solutions. We help the sectors like sign makers, digital print houses, POS/POP makers, fit-out companies, event managements, and glass & aluminium fabrication industries. we promise to take your business to stand head.

A large industrial machine, likely a digital printer or cutter, is shown in the background. It has a long horizontal bed and various rollers and mechanisms. The model name 'Tiger600-1800T5' is visible on the side of the machine.

***Best A Grade Quality &  
Innovative Products***

# Tiger600-1800TS

**Unparalleled productivity !**

**Next-Generation Tiger :  
Unparalleled Productivity  
and Superior Image Quality**

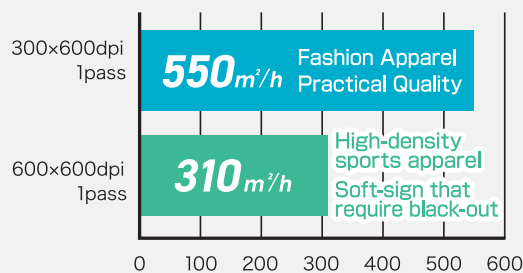
Print Speed  
**Max. 550 m<sup>2</sup>/h**



Mimaki's Original technology and mechanism design, together with a new high-speed drive design, together with a new high-speed drive print head. The new (Tiger) was born with high productivity and imagine quality, setting the stage for the future of digital textile printing.

Tiger600-180TS with Mimaki's accumulated technologies, embodies practical image quality and productivity for textile and fashin applications. It is a product that brings you to the world of sustainable deigital textile printing

## Recommended Print Speed (by applications)



Above are expressions based on internal evaluations and are not guaranteed for all applications

## Smart design !

### Space-Saving and Light weight Design for Easier Insatallation

Both transfer paper set-up and take-out can be performed from one-side

- Operation footprint reductions: Approx. 50% vs previous mod
- Product weight reductions: Approx. 80% vs previous model

Greatly easing installtion location restrictions

- Easier for customer to install the system



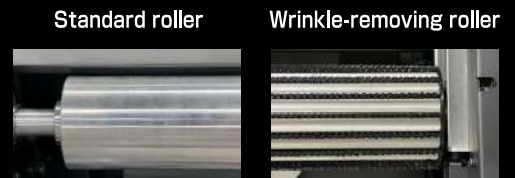
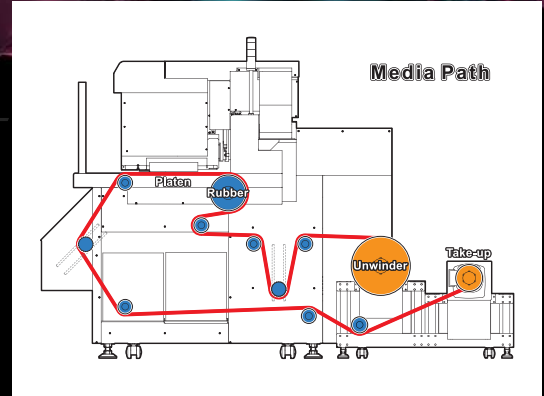
*The Mimaki's Tiger series is reborn with a maximum speed of 550 sqm/h*  
Embracing the digital printing era - paving the way to a sustainable textile industry

**New design !**

## Advanced Transfer Paper Transport Mechanism Stable Printing even with Thin Transfer Paper!

The Tiger600-1800TS features a newly designed wrinkle-removing roller within its transport system.  
Previously, transport tension-induced wrinkles on the transfer paper led to cockling, causing the print head to touch the paper.

The newly designed roller allows wrinkles to escape when transport tension is applied, effectively preventing any contact between the print head and the transfer paper.  
Ensuring stable transport of thin paper helps reducing running cost.



### Light Curtain

Detects obstructions and halts printing to prevent accidents

### Wrinkle-Removing Roller

Reduces wrinkles of transfer paper due to transport tension. Smooth transport of thin transfer paper is supported.

**Print Carriage**  
8-print head array achieves high productivity

### Maintenance Switch

Switches Printing-Mode/ Maintenance-Mode

### Operation Software

Printer operation and production directive performed from the touch panel.  
\*Please prepare a PC for RIP software (Sold Separately)

### Dryer Unit

Placed underneath the main unit, Contributes to space-saving

### Purified Water for Automatic Maintenance

\*Please make your own preparations

### 10Kg Ink Tank Supply Unit & Internal Buffer Tank

Ink Tank can be replaced during printing operation. In addition the ink circulation function automatically agitates the ink in the system, contributes to less maintenance time and stable operation.



### Take-up/ Unwind Unit ( Rear Section)

Transfer paper loading/ Unloading from one side.  
Significant space saving for operation



**Continuous production!**

## Ink System Design and Support Functions for Continuous and Stable Production

A new ink system during implemented to reduce the risk of nozzle dropout operation. the sytem is also equipped with support functions to ensure that customers can continue working even in the event of nozzle clogging

### NRS: Nozzle Recovery System

Even when head cleaning does not clear nozzle clog, productivity can be maintained.

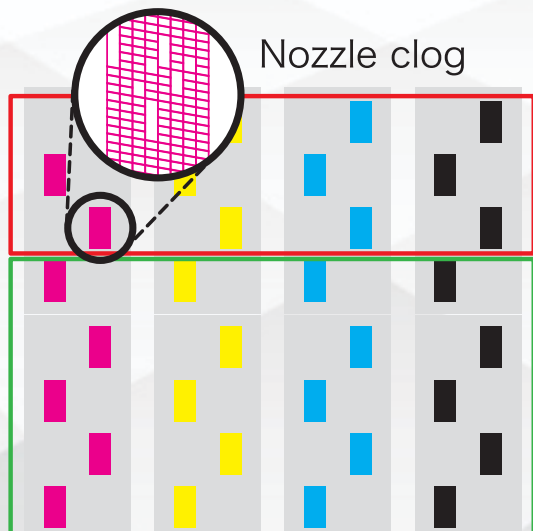


\*Recovery may not work depending on nozzle clog position

### Head Select Function

The Print process can be continued using the avaiable range of print heads when large number of nozzles are clogged.

\*Recovery may not work depending on nozzle clog position



**Unusable print head range**

**Usable print head range**

Without head select



When using head select





## Shape Your Expression as Desired with Ultra-Safe Eco Sublimation Transfer Ink and Specialized Textile Software

High density and wide color gamut MLSb510, delivers vivid and striking results

MLSb510 is also safe and environment friendly, boasting ECO PASSPORT certification, and is currently undergoing ZDHC MRSL Lv.3 adoption



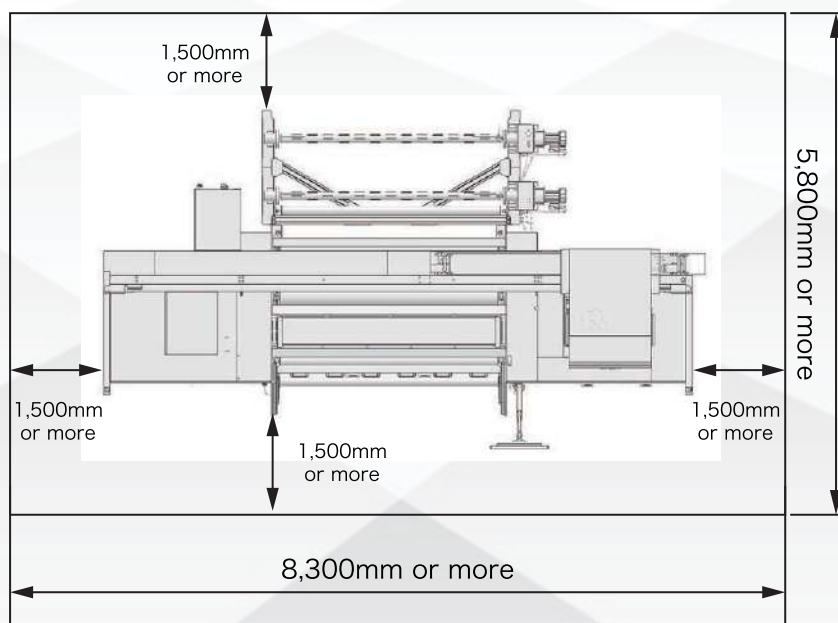
Highly Safe Eco Sublimation Transfer Ink

# MLSb510

### More Advanced Textile RIP Software for Professional Use

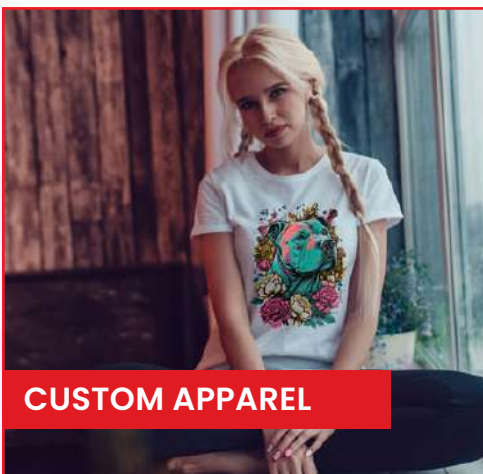
# TxLink4™

- Parallel RIP functionally improves work efficiency
- Smoother gradients with 16-bit rendering
- Easy nesting operation saves media etc. Nesting functions to suit your application
- Variable data print function ideal for sportswear
- Image masking process is possible within TxLink4 rendered and reproduced



Entering within 1 meter of perimeter is extremely dangerous during the production

# Product Samples



Product  
Samples

## Specification

Print Head		On-demand piezo head
Number of print head		8 Units (4 in-lined x 2 staggeted layout)
Print Resolution		300dpi, 600dpi
Maximum Print Width		1,850mm (72.8")
Minimum Print Width		210mm (8.3")
Maximum Media Width		1,900mm (74.8")
Paper Core Diameter		600mm or less ( 23.6")
Media Weight		300kg or less ( 661.4lb)
Ink	Type/Colors	Sublimation Transfer MLSb510 (BI/M/Y/K)
	Content	10Kg Ink Tank
Interface		Ethernet 10GBASEPT
		USB 2.0 (Removable Disk)
Operation method Operation software		Built-in Touch Panel
		Exclusive Software MPC (Mimaki Print Controller)
RIP Software		TxLink4 Standard/ Professional
Compatible Standards		ETL compliant with IEC62368-1, CE marking (EMC Directive, Low
		Voltage Directive, Machinery Directive) CB certification / RoHS /
		REACH / RCM / KC certification / UKCA
Operational Environment	Power	3φ 380-415V ± 5%, 50/60Hz ± 1%, 25A
	Temperature	20-30 degC / 68-77 degF
	Humidity	35 - 65% Rh (Non condensing)
	Dust level	0.15mg/m <sup>3</sup> or less (Equivalent to a general office floor level)
	Maximum	
	operating altitude	2,000m
Power Consumption	Max. operating	15.0kW or less
	Standby	1.0kW or less
Dimensions (W×D×H)		5,300x2,800x1,900mm (209x110x75")
Weight		1,620kg or less (≤3,572 lb.)

\*Specifications, designs & dimensions in this list may be subject to change without notice due to technical improvements or other modifications.



## SUPPLY ITEMS

Subliamtion Transfer Ink MLSb510	Blue	MLS51-BLT-BJ	10 kg Ink Tank
	Magenta	MLS51-MT-BJ	
	Yellow	MLS51-YT-BJ	
	Black	MLS51-KT-BJ	
Maintenance Liquid	ML03 Bottle	ML003-Z-K1	200ml Bottle

## SYSTEM REQUIREMENTS (PC's)

Operating System*	Windows 10 (64 Bit) or Later
Processor	i7 - 2.6 GHz or faster
Memory (RAM)	Min. 8GB or More
Video Card and Monitor(VGA)	1280x1024 or Higher Resolution is Recommended
Working Hard Disk Space	1 TB SSD or more recommended
Graphics Card	2GB or more (Optional)
Optical drive	DVD-ROM
Other requirements	Ethernet connection for network capable printers
	Available USB ports and PCIE Slot
Recommended Brand	Lenovo / Dell

\* Note: You can use a laptop or desktop computer

\* Use the original operating system and software. If you are using pirated operating system or software, we are not responsible for any damage to Machine workings, and also the warranty terms will become void.

## POWER REQUIREMENTS

Voltage Regulator	5000W Stabilizer
-------------------	------------------



## Terms and Conditions

1. Payment to be made in QR currency.
2. Payment Terms: As mentioned in Quotation.
3. Bank Details:

Bank Name	Branch	Beneficiary Name	Acc #	Swift Code
Qatar Islamic Bank	Al Khour Branch	Digital Star Qatar	0111453200015	QISB - QAQA
IBAN: QA16QISB000000000111453200015				

4. Bank Charges: Any bank charges relevant to the above transactions will be to your account.
5. Any charges, duties, taxes or levies at the ports of entry will be to our account.
6. The charges of loading, boarding and local conveyance of the technician will be to our account.
7. Any required electrical, mechanical and civil site preparation should be done by the customer according to our engineer's requirements.
8. Digital Star Qatar will not be held responsible for delays caused by any damage in the equipment due to shipment, unloading accidents and any related reasons, which is beyond our control.
9. The warranty will be 12 months from the date of installation from Digital Star Qatar. Wear and tear, consumables are exempted and warranty can be claimed only if you use the Inks and Services from Digital Star Qatar.
10. Service will be free of cost within 12 months from the date of installation.
11. Any claim will be invoice directly to you then we will send for claiming procedure which will take 45-60 days, if the claim got approved credit note will issued directly.
12. Delivery: As mentioned in quotation

**DIGITAL STAR QATAR**  
 ديجيتال ستار قطر

DOHA | QATAR | P O BOX: 47663



+974 448 34 486



info@digitalstarq.com



+974 441 63 788



www.digitalstarq.com