

C824n/ C824dn



Small and powerful: Discover an A3 colour printer that's compact, eco-friendly and offers endless possibilities

A3/A4	✓
Colour/Mono	✓
Networked/ Duplex	✓
Prints A6 to 1321mm, up to 256gsm	✓
1 - 30 users	✓

Authorized Dealer:

DIGITAL STAR QATAR
ديجيتال ستار قطر

Salwa Road | Doha - Qatar | P.O Box:47663

Source of Digital Solutions

Digital Star Qatar has been leading the digital solution in Doha, for more than 10 years as a supplier and distributors for the digital sector. Our commitment to providing the best quality machinery with advanced technology, which can help your business to expand more with successful outcomes.

The world has enabled us the opportunity to set ultra-standards in signages and digital printing industries.

DSQ has developed into a true trendsetter and a reliable destination for customers seeking wholesale solutions. We help the sectors like sign makers, digital print houses, POS/POP makers, fit-out companies, event managements, & glass & aluminium fabrication industries. we promise to take your business to stand head



The compact colour printer, with massive performance

Save time and cost without compromising on quality or performance with the compact and affordable C824 A3 colour printer. The quick warm-up, energy and time-saving fast fusing technology, increases efficiency. The C824 is the ideal choice for high-quality colour printing on a budget.

Super compact

The smallest A3 colour printer on the market

Eco-friendly Performance

Energy and time-saving with efficient fusing technology

Unrivalled media handling

Print in sizes and weights up to 256gsm and banners up to 1.3m

Easy printing on the go

Tap and print NFC functionality, AirPrint by Apple Inc enabled and Google Cloud Print 2.0 ready

Take your in-house colour printing to a new level without compromising on space with the super-compact C824 A3 colour printer. Fast to warm up with the latest energy and time-saving fusing technology and superb media handling capabilities. The easy-to-use screen on the C824 makes it fast, simple and affordable to produce high-quality sales and marketing material, as well as day-to-day office documents.

Unrivalled Media Flexibility - Print on a variety of sizes and media types

Achieve great results and save costs with the versatile, ultra-compact C824. Award winning digital LED technology delivers high-quality results on a range of media sizes from A6 to A3, and up to 1.3m banners.

- Print on light and heavy paper from 64gsm to 256gsm
- Create a range of documents in-house, from A6 to A3, including banners up to 1.3m
- Auto-sensing 100-sheet multi-purpose tray (MPT) for seamless, ready-to-go printing no matter what the task
- Standard paper supply of 400 sheets and 4 optional paper trays, increasing paper capacity to up to 2,540 sheets
- Optional Banner tray for printing multiple banners in one go



Print Smart,
PrintOKI!

Eco-friendly Performance - Energy and time-saving with efficient fusing technology

Affordable, compact and built to deliver high-quality, high-impact results. The C824 includes cost and energy-saving features and the latest fusing technology, enabling it to warm up almost instantly (9.9 seconds), saving time, increasing efficiency and conserving energy.

- Automatic duplex printing reduces paper usage
- Fusing technology cuts warm-up time and makes it fast to quieten and cool down
- Deep Sleep mode saves energy, Auto-Off mode automatically powers down to less than 0.15W when not in use
- Free consumables recycling programme



Mobile Print Friendly - for printing on the go

Designed to make it straightforward and simple to achieve fantastic, high-quality results in-house, the C824 is easy to use and has professional security features. The C824 comes with advanced connectivity including gigabit ethernet, NFC for tap and print functionality (no network connectivity required) and Google Cloud Print 2.0 ready.

- Clear, easy-to-use screen
- Tap and print directly from Android smartphones and tablets
- User videos through mobile app for maintenance and troubleshooting
- Private Print and optional Card Release user authentication prevents unauthorised access and helps to protect corporate data
- Internet Protocol Security (IPSec) compliance for document security
- Wireless LAN (optional), NFC and Google Cloud Print 2.0 ready



Compact size – High quality results in-house

Ideal for workgroups with different needs and the smallest A3 colour business printers available, the versatile C824 delivers affordable day-to-day document printing and outstanding high-impact results on a wide range of sales and marketing materials.



- Outstanding High Definition ProQ2400 multi-level output quality
- Clear, 1200 x 600dpi print resolution for readable fine print
- Toner Save reduces cost when printing draft or internal documents
- Print a wide range of jobs in-house from letters to leaflets and posters

Increase basket value & customer engagement with attention grabbing in-store signage and advertising

From automotive showrooms to fashion clothing changing rooms and food and beverage aisles, high-impact visual customer communications such as banners and shelf-edge labels are highly influential. Whether it is a change in pricing or a special promotion, capture immediate attention and increase basket value with the C800 Series High Definition Colour printers combined with OKI's Retail Solutions. Create high quality signage at your staff's fingertips; produce small price tags to 1.3m hanging and floor banners. Print on pre-cut media for door hangers, bottle collars and much more.

Capture customer attention and increase basket value



Supermarkets



Food & Beverage



Garden Centres & Nurseries



Home Furniture & Furnishings



Car Dealers



Clothing & Accessories

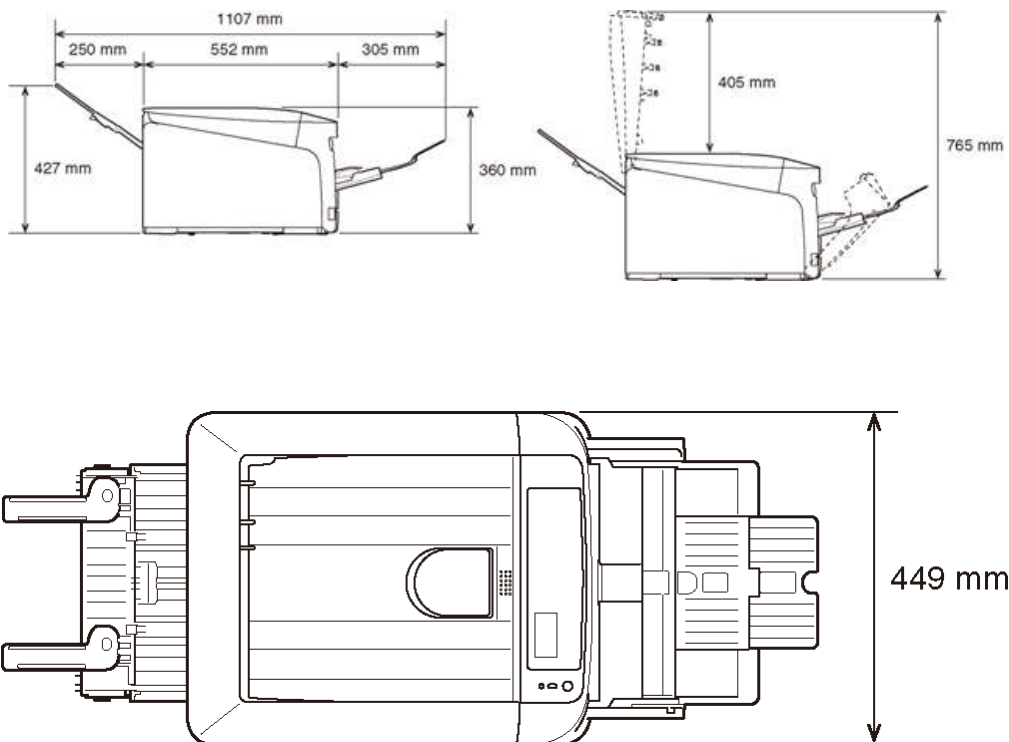
Product Specification

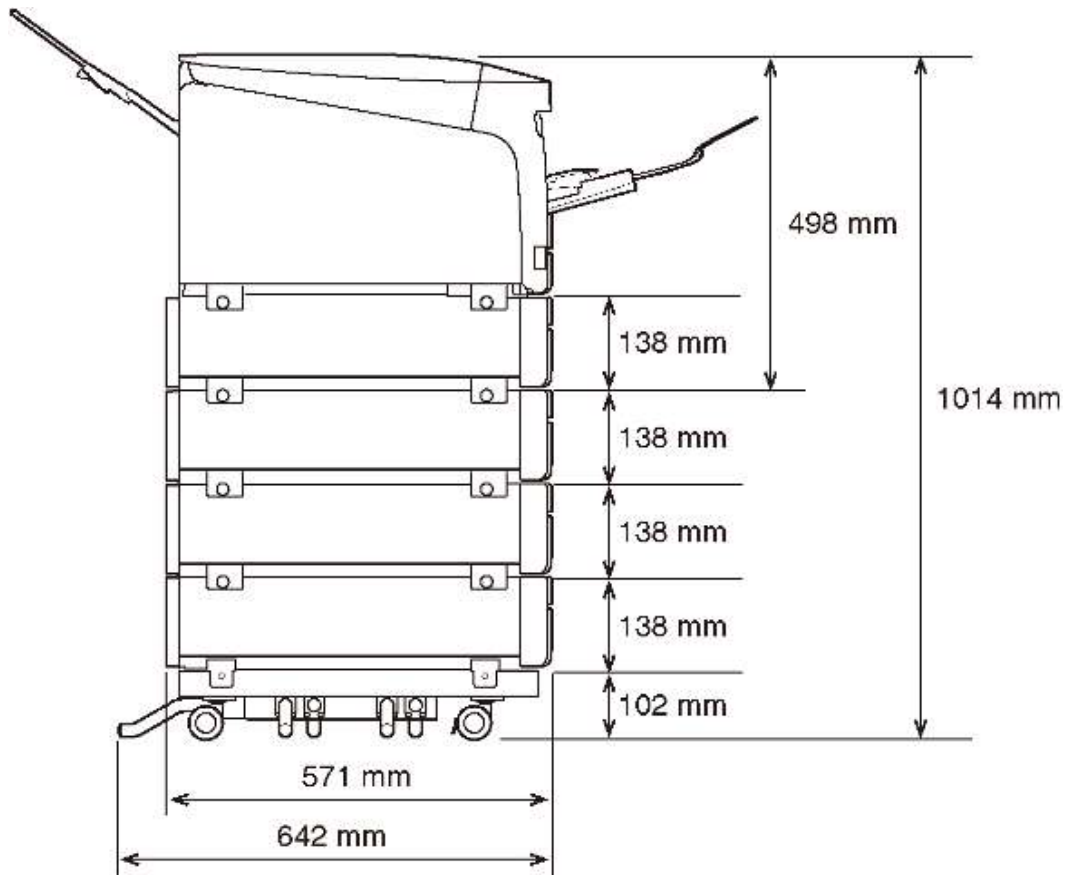
Printing Method	Digital 4 LED Full-color Electrophotographic Printing Method
Printing Resolution	600 x 600 dpi
	600 x 1200 dpi
	600 x 600 dpi (4 levels)
	Physical dot pitch: 600 dpi
Warm-up Time	Approx. 20.0 seconds from power-on
	Approx. 9.9 seconds from power save
First Print Out Time	Color: Approx. 8.5 seconds
	Mono: Approx. 8.5 seconds
Print Speed	A4(Landscape) 26 ppm color, 26 ppm mono
	A3 14 ppm color, 14 ppm mono
Interface	1000BASE-T/100BASE-TX/10BASE-T, (Optional) Wireless LAN
	(IEEE802.11a/b/g/n), USB 2.0 (High Speed), USB 2.0 (High Speed) Host
Protocol	TCP/IP
Supported OS	Windows 10, Windows 10 x64, Windows 8.1, Windows 8.1 x64, Windows 8,
	Windows 8 x64, Windows 7, Windows 7 x64, Windows Server 2016,
	Windows Server 2012 R2, Windows Server 2012, Windows Server 2008 R2,
	Windows Server 2008, Windows Server 2008 x64, macOS 10.13,
	macOS 10.12, OS X 10.11, OS X 10.10, iOS, Android
Memory (Std./Max.)	1GB/1GB
Font	PCL emulation 87 scalable fonts, 4 bitmap fonts
Paper Size	A3, A4, A5, A6, B4, B5, B6, B6 Half, Legal 13, Legal 13.5, Legal 14,
	Tabloid (11" x 17"), Letter, Executive, 16K, 8K, Statement, Folio, Banner,
	Envelopes, Postcard, Return postcard, Index Card (3" x 5") (75 x 125mm),
	Photo Size (4" x 6", 5" x 7") (100 x 150mm, 125 x 175mm),
	Custom Size: Width 55-297 mm x Length 90-1321 mm, B8, B7
Paper Weight	Tray 1 : 64 - 220 gsm
	Multi-purpose tray : 64 - 256 gsm
	(Optional)Additional Tray : 64 - 176 gsm
Input Capacity	Tray 1 : 300 sheets
	Multi-purpose tray : 100 sheets
	(Optional)Additional Tray : 535 sheets
Output Capacity	Face Down : Max. 250 sheets
	Face Up : Max. 100 sheets

Dimensions(WxDxH)	449 x 552 x 360 mm
Weight(includes supplies)	37.0 kg - 40.0 kg
Operating Environment	Operating: 10 - 32 °C, 20 - 80 %RH No condensation
Power Consumption	Operating: Max. 1,400W / Ave. 680W Idle: 13W Power Save: 11.0W Deep Sleep: 1.0W Auto-Off: 0.15W
Safety& Environment Regulation	CE Mark, GS Mark
Noise Level	Operating :Approx. 54 dBA Idle: < 32 dBA
Duty Cycle	Recommended: 5,000 pages/month Maximum: 75,000 pages/month

*Specifications are subject to change without prior notice, all rights reserved.

Space required





SYSTEM REQUIREMENTS (PC's)

Operating System*	Windows 10 (64 Bit) or Later
Processor	i7 - 2.6 GHz or faster
Memory (RAM)	Min. 8GB or More
Video Card and Monitor(VGA)	1280x1024 or Higher Resolution is Recommended
Working Hard Disk Space	1 TB SSD or more recommended
Graphics Card	2GB or more (Optional)
Optical drive	DVD-ROM
Other requirements	Ethernet connection for network capable printers
	Available USB ports and PCIE Slot
Recommended Brand	Lenovo / Dell

* Note: You can use a laptop or desktop computer

* Use the original operating system and software. If you are using pirated operating system or software, we are not responsible for any damage to Machine workings, and also the warranty terms will become void.

Terms and Conditions


1. Payment to be made in QR currency.
2. Payment Terms: As mentioned in Quotation.
3. Bank Details:

Bank Name	Branch	Beneficiary Name	Acc #	Swift Code
Qatar Islamic Bank	Al Khour Branch	Digital Star Qatar	0111453200015	QISB - QAQA
IBAN: QA16QISB000000000111453200015				


4. Bank Charges: Any bank charges relevant to the above transactions will be to your account.
5. Any charges, duties, taxes or levies at the ports of entry will be to our account.
6. The charges of loading, boarding and local conveyance of the technician will be to our account.
7. Any required electrical, mechanical and civil site preparation should be done by the customer according to our engineer's requirements.
8. Digital Star Qatar will not be held responsible for delays caused by any damage in the equipment due to shipment, unloading accidents and any related reasons, which is beyond our control.
9. The warranty will be 12 months from the date of installation from Digital Star Qatar. Wear and tear, consumables are exempted and warranty can be claimed only if you use the Inks and Services from Digital Star Qatar.
10. Service will be free of cost within 12 months from the date of installation.
11. Any claim will be invoice directly to you then we will send for claiming procedure which will take 45-60 days, if the claim got approved credit note will issued directly.
12. Delivery: As mentioned in quotation

DIGITAL STAR QATAR
ديجيتال ستار قطر

DOHA | QATAR | P O BOX: 47663

 +974 448 34 486

 info@digitalstarq.com

 +974 441 63 788

 www.digitalstarq.com