

Pro8432 WT



The professional A3 white printer for garment decoration, packaging design, POS and window graphics

A breakthrough in printing technology, the Pro8432WT A3 white toner printer prints in any colour including white. Easy-to-use, affordable and ideal for creative, graphics arts use, the Pro8432WT prints solid, sharp, bright white colour designs on a wide range of media.

Print Smart, Print OKI!



Pro8432 WT

Authorized Dealer:

DIGITAL STAR QATAR
ديجيتال ستار قطر

Salwa Road | Doha - Qatar | P.O Box:47663

Source of Digital Solutions

Digital Star Qatar has been leading the digital solution in Doha, for more than 10 years as a supplier and distributors for the digital sector. Our commitment to providing the best quality machinery with advanced technology, which can help your business to expand more with successful outcomes.

The world has enabled us the opportunity to set ultra-standards in signages and digital printing industries.

DSQ has developed into a true trendsetter and a reliable destination for customers seeking wholesale solutions. We help the sectors like sign makers, digital print houses, POS/POP makers, fit-out companies, event managements, & glass & aluminium fabrication industries. we promise to take your business to stand head



The compact colour printer, with massive performance

Meet the small colour printer that doesn't compromise on cost effectiveness, productivity or efficiency.

Innovative technology

CMYW – A first for digital printing

Extend creativity

White toner technology removes the last barrier in creativity and design

In-house printing

Ideal for graphics, design and merchandising materials

Versatile media

Stand-out printing on coloured media, clear film and transfer media

Printing in solid, sharp and bright white is as easy as any other colour with the high-performance Pro8432WT. The combination of High Definition digital LED technology and cutting-edge OKI white toner technology removes one of the last barriers to creativity and design for print houses, manufacturers graphic arts firms and other businesses.

Innovative technology - CMYW, A first for digital printing

The Pro8432WT is part of OKI's White Toner (WT) portfolio - the first digital printer range that offers users the ability to print using white toner. Based on tried and tested devices, that are well regarded by graphic based industries for their high-quality output, the innovative Pro8432WT offers the same speeds as OKI's standard colour digital LED printers and easy to use and operate.

- Ultra-reliable digital LED printing technology and a simple, flat paper path for longer trouble-free printing.
- Microfine High Definition toner and ProQ Multi-level output quality with 1200 x 600dpi print resolution for sharp, crisp results
- Prints at the same speeds as standard colour digital LED printers – 35ppm A4 plain paper, 20ppm, A3 plain paper
- Printer shipped with 2 additional 4,500 page White toner cartridges, to enhance your Return on Investment from day one

Extend creativity - White toner technology removes the last barrier in creativity and design

The Pro8432WT removes the design barriers presented by traditional CMYK printing processes. Printing solid white onto a wide variety of media, it can be used in combination with transfer media to create vibrant print on dark backgrounds, dark coloured garments and other hard surfaces.

- Creates vibrant print on dark backgrounds, dark coloured garments and other hard surfaces
- Produces white graphic and lettering transfers on cost-effective transfer media

In-house printing - Ideal for graphics, design and merchandising materials

White toner printing offers designers, graphics studios, point-of-sale manufacturers and a range of other graphics-based businesses new flexibility in printing, proofing and production, making it possible to print a range of demands in-house whenever they are needed. Flexible and built to overcome many of the barriers to creativity, the versatile Pro8432WT lowers the cost of producing creative design proofs.

- Prints on paper sizes from A6 to A3 and weights up to 256gsm
- Standard 400-sheet paper supply



Versatile media - Stand-out printing on coloured media, clear film and transfer media

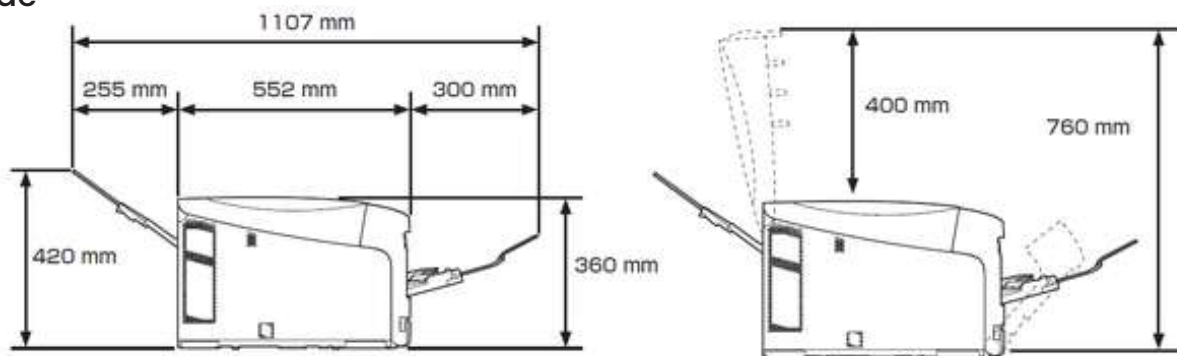
For window graphics and clear film, the ability to print white on top of the other colour adds richness and depth to the graphics and text and displays white where needed, making colours stand out.

- Creates vibrant CMYK colours on dark and light-coloured media, clear film and transfer media, ensuring colour and image integrity

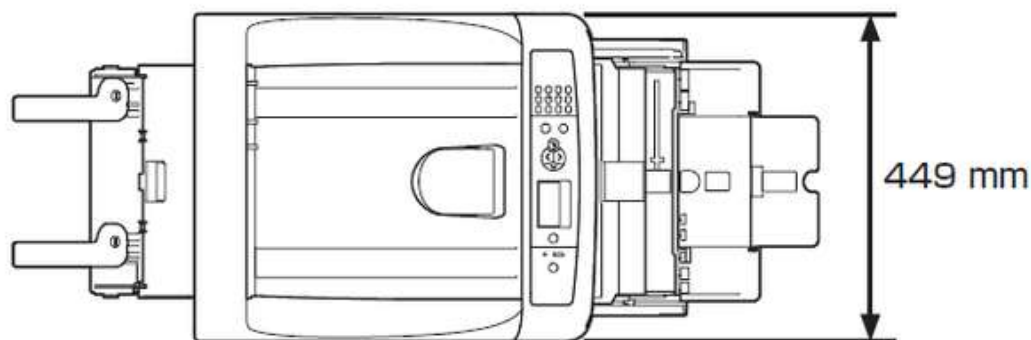
Space required

| Space required |

Side



Front



Product Specification

Printing Technology	Digital 4 LED Full-color Electrophotographic Printing Method
Print Resolution	600 x 600 dpi (4 levels)
	600 x 600 dpi
	600 x 1200 dpi
	Physical dot pitch: 600 dpi
Warm-up Time	Approx. 25.0 seconds from power-on
	Approx. 20.0 seconds from power save
Interface	10/100/1000 Base Ethernet, (Optional) Wireless LAN (IEEE802.11a/b/g/n)
Protocol	TCP/IP
Printer Language	PostScript 3 emulation
Supported OS	Windows 10, Windows 10 x64, Windows 8.1, Windows 8.1 x64, Windows 8, Windows 8 x64, Windows 7, Windows 7 x64, Windows Vista, Windows Vista x64, Windows Server 2016, Windows Server 2012 R2, Windows Server 2012, Windows Server 2008 R2, Windows Server 2008, Windows Server 2008 x64, macOS 10.12, OS X 10.11, OS X 10.10, OS X 10.9, OS X 10.8
Memory (Std./Max.)	256MB/768MB
Font	PostScript emulation 80 fonts
Paper Size	A3, A4, A5, A6, B4, B5, B6, B6 Half, Tabloid (11" x 17"), Letter, Legal 13, Legal 13.5, Legal 14, Executive, Statement, 8.5" SQ, Folio, 8K, 16K, Photo Size (4" x 6", 5" x 7") (100 x 150mm, 125 x 175mm), Index Card (3" x 5") (75 x 125mm), Custom Size: Width 64-297 mm x Length 90-431 mm
Paper Weight	Tray 1 : 64 - 220 gsm
	Multi-purpose tray : 64 - 256 gsm
Input Capacity	Tray 1 : 300 sheets
	Multi-purpose tray : 100 sheets
Output Capacity	Face Down : Max. 250 sheets
	Face Up : Max. 100 sheets
Dimensions(WxDxH)	449 x 552 x 360 mm
Weight(includes supplies)	37.0 kg
Operating Environment	Operating: 10 - 32 °C, 20 - 80 %RH
	Storage: 0 - 43 °C, 10 - 90 %RH
	No condensation
Power Source	Single phase 220 - 240 VAC ±10%, 50/60 Hz ±2%

Power Consumption	Operating: Max. 1,400W / Ave. 700W Idle: 100W
	Power Save: 12.0W Deep Sleep: 1.0W
	Auto-Off: 0.15W
Safety & Environment Regulation	Energy Star, EMC-Directive, CE Mark, GS Mark, CCC Mark, cULus Mark, cULus Mark
Noise Level	Operating :Approx. 52 dBA Idle: < 32 dBA
*Toner Cartridge	White: 4,500 Pages
*Toner Cartridge	Cyan/ Magenta/ Yellow: 10,000 Pages
*Image Drums	White: 9,000 Pages
*Image Drums	Cyan/ Magenta/ Yellow: 30,000 Pages
*Transfer Belt	30,000 Pages
*Fuser Unit	50,000 Pages

*Specifications are subject to change without prior notice, all rights reserved.

SYSTEM REQUIREMENTS (PC's)

Operating System*	Windows 10 (64 Bit) or Later
Processor	i7 - 2.6 GHz or faster
Memory (RAM)	Min. 8GB or More
Video Card and Monitor(VGA)	1280x1024 or Higher Resolution is Recommended
Working Hard Disk Space	1 TB SSD or more recommended
Graphics Card	2GB or more (Optional)
Optical drive	DVD-ROM
Other requirements	Ethernet connection for network capable printers Available USB ports and PCIE Slot
Recommended Brand	Lenovo / Dell

* Note: You can use a laptop or desktop computer

* Use the original operating system and software. If you are using pirated operating system or software, we are not responsible for any damage to Machine workings, and also the warranty terms will become void.

**Print Smart,
Print OKI!**

Terms and Conditions


1. Payment to be made in QR currency.
2. Payment Terms: As mentioned in Quotation.
3. Bank Details:

Bank Name	Branch	Beneficiary Name	Acc #	Swift Code
Qatar Islamic Bank	Al Khour Branch	Digital Star Qatar	0111453200015	QISB - QAQA
IBAN: QA16QISB000000000111453200015				


4. Bank Charges: Any bank charges relevant to the above transactions will be to your account.
5. Any charges, duties, taxes or levies at the ports of entry will be to our account.
6. The charges of loading, boarding and local conveyance of the technician will be to our account.
7. Any required electrical, mechanical and civil site preparation should be done by the customer according to our engineer's requirements.
8. Digital Star Qatar will not be held responsible for delays caused by any damage in the equipment due to shipment, unloading accidents and any related reasons, which is beyond our control.
9. The warranty will be 12 months from the date of installation from Digital Star Qatar. Wear and tear, consumables are exempted and warranty can be claimed only if you use the Inks and Services from Digital Star Qatar.
10. Service will be free of cost within 12 months from the date of installation.
11. Any claim will be invoice directly to you then we will send for claiming procedure which will take 45-60 days, if the claim got approved credit note will issued directly.
12. Delivery: As mentioned in quotation

DIGITAL STAR QATAR
ديجيتال ستار قطر

DOHA | QATAR | P O BOX: 47663

 +974 448 34 486

 info@digitalstarq.com

 +974 441 63 788

 www.digitalstarq.com