

Pro9541dn



A3 colour printer with the addition of a white or clear spot colour

An industry first, the Pro9541 takes digital printing to a new level with the option of printing in CMYK plus the addition of a fifth spot colour in white or clear gloss for high quality, high performance on demand printing.

Print Smart, Print OKI!



A3/A4	✓
Colour/Mono	✓
Prints A6 to 1321mm, up to 360gsm	✓
White or clear spot colour	✓
1 - 30+ users	✓



Pro9541dn

Authorized Dealer:

DIGITAL STAR QATAR
ديجيتال ستار قطر

Salwa Road | Doha - Qatar | P.O Box:47663

Source of Digital Solutions

Digital Star Qatar has been leading the digital solution in Doha, for more than 10 years as a supplier and distributors for the digital sector. Our commitment to providing the best quality machinery with advanced technology, which can help your business to expand more with successful outcomes.

The world has enabled us the opportunity to set ultra-standards in signages and digital printing industries.

DSQ has developed into a true trendsetter and a reliable destination for customers seeking wholesale solutions. We help the sectors like sign makers, digital print houses, POS/POP makers, fit-out companies, event managements, & glass & aluminium fabrication industries. we promise to take your business to stand head



The compact colour printer, with massive performance

An industry first, the Pro9541 takes digital printing to a new level with the option of printing in CMYK plus the addition of a fifth spot colour in white or clear gloss. Unrivalled media handling, high print speeds, stunning High Definition colours and outstanding print quality make this a unique and affordable option for businesses in the graphic & creative industries looking to access a lucrative new revenue stream.

Exceptional quality

Sharp, crisp documents in CMYK plus a spot colour in white or clear gloss

Media flexibility

Fast printing on an extensive, unrivalled range of graphic arts media

Business boost

Increase margins and grow your business with five-colour printing in CMYK+ white or clear gloss on demand, in house

Lower TCO

High-capacity consumables, competitive price, energy efficient

Exceptional quality - Sharp, crisp documents in CMYK plus a spot colour in white or clear gloss

A first in the graphic arts and creative industries, the affordable five-colour Pro9541 is equipped with a microfine High-Definition toner. Combining digital LED technology and multi-Level ProQ technology, it produces sharp, vibrant colour printing.

- Prints in full range of process CMYK colours plus a spot colour in white or clear gloss
- Superb print resolution of 1200 x 1200dpi
- Stunning vibrancy of colour on dark or transparent media
- Multi-Level ProQ technology enhances colour print output
- Fully-compatible with EFI Fiery®XF for advanced colour management

Media flexibility – Fast printing on an extensive, unrivalled range of graphic arts media

Using high-quality digital LED printing technology, the Pro9541 combines unrivalled media handling, high print speeds and five-colour technology to deliver fantastic results in-house on a wide range of media including gloss paper, film, transfer paper, waterproof paper and more.

- Paper sizes from A6 to SRA3 and banner lengths up to 1.3m
- Prints on paper stock up to 360gsm single-sided and 320gsm duplex
- Wide range of media capability including gloss paper, film, transfer paper, waterproof paper and more
- 530 sheet tray as standard, up to 2,950 sheets with optional trays
- Robust 300 sheet multi-purpose tray for added flexibility

Business boost - Increase margins and grow your business with five-colour printing in CMYK+ white or clear gloss on demand, in house

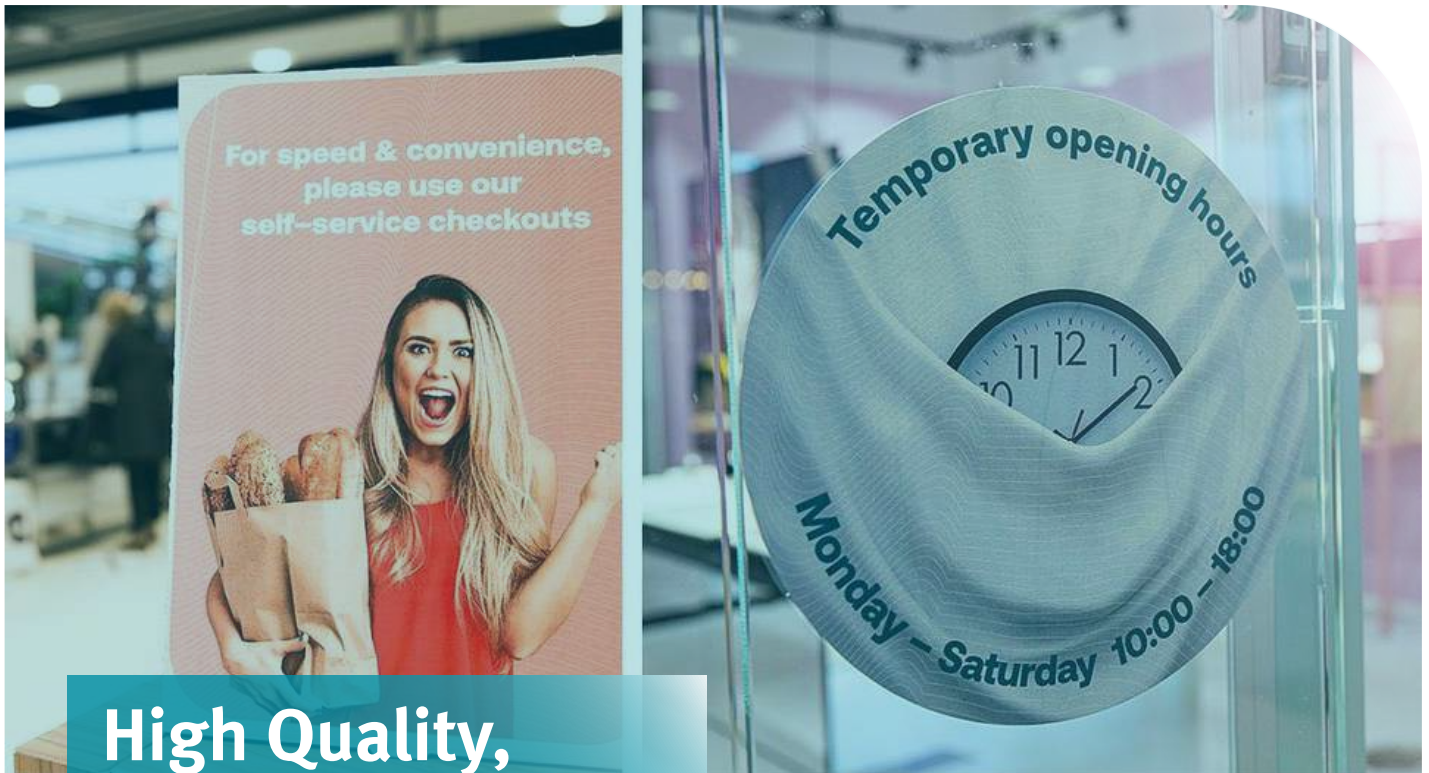
Giving businesses the chance to offer more for customers, the high-performance Pro9541 creates a competitive edge & unlocks a new revenue stream without the need for a huge investment.

- Print in all colours including solid white or clear gloss quickly and cost effectively
- Create an impact producing concepts for proofing or short print run materials including stationery, brochures, packaging prototypes and point of sale and window graphics
- Interchangeable spot colour kit enables you to switch between white and gloss spot colours in a matter of seconds without cross-contamination of toners

Lower TCO - High-capacity consumables, competitive price, energy efficient

Competitively priced and with ultra-high capacity toner cartridges, the affordable Pro9541 delivers a low total cost of ownership (TCO) while maintaining high coverage and outstanding quality.

- Competitive initial capital cost
- Reduced operating costs through ultra-high capacity toner cartridges (38K) and drums
- Separate toners and drums for reduced wastage
- Eco features for reduced energy usage



**High Quality,
High Performance**



Pro9541 dn



Product Specification

PRINTER

Print speed	A4: 50ppm colour, 50ppm mono; A3: 28ppm colour, 28ppm mono. White: up to 45ppm (simplex) Clear: 18ppm
Time to first print	8 seconds colour, 8 seconds mono
Warm up time	50 seconds or less from power on
Processor speed	1.2GHz

INTERFACE AND SOFTWARE

Connectivity	Hi-Speed USB 2.0, 10Base-T/100Base-TX/1000Base-T
Printer languages	PCL5c, PCL6 (PCL XL), Adobe PostScript 3 with direct PDF Printing (v1.7), XPS, SIDM
Network & protocols	All major network protocols supported via ethernet card with internal web server for printer and network card set-up and management. TCP/IP: IPv4/v6, ICMP, ICMPv6, IGMP, IGMPv2, LPR, Port9100, IPP, IPPS, FTP, FTP over SSL, HTTP, HTTPS, TELNET, IPP, Auto IP, LLTD, BOOTP, DHCP, SNMPv1/v3, SNMP Trap, DNS, DDNS, UPnP, Bonjour, WINS, SSL/TLS, SMTP, SMTP over SSL, POP3, SNTp, JCDP, FLDP, ODNsp, WSDPrint, WSD-Discovery, Web JetAdmin, NetBIOS over TCP, EtherTalk
OS Compatibility¹	Windows Vista (32-bit & 64-bit) / XP (32-bit & 64-bit) / Server 2003 (32-bit & 64-bit) / Server 2008 (32-bit & 64-bit) / Server 2008 R2 (64-bit) / Windows 7 (32-bit & 64-bit) / Server 2012 (64-bit) / Windows 8 (32-bit & 64-bit) / Windows 10 (32-bit & 64-bit); Mac OS9 / OS X 10.3.9 - 10.9
Advanced networking and security	IPv6, 802.1x authentication, SMTP Server Authentication, SNMPv3, SSL3/TLS encryption, HTTPS encryption, Protocol On/Off, Protocol Port No. Change, MAC filtering, IP filtering, IP Sec, EAP-PEAP, EAP-TLS, Secure Erase ³ , Secure Print ³ , Secure Print Job Encryption ³ , Storage Devices entire Encryption ³ , Storage(HDD) Initialize (format) ³
Utility suite¹	Print Job Accounting ² , Print Job Accounting Enterprise ² , Print Job Accounting Client, PrintSuperVision.net ² , Template Manager ² , Color Correct, Color Swatch ² , Configuration Tool, PS Gamma Adjuster, Profile Assistant (Mac Only), PDF Direct Print, EFI Fiery XF Server Option (External color management server)

TYPEFACES

Printer fonts	87 scalable PCL fonts, Lineprinter/OCR-A/OCR-B/USPSZIP bit-map fonts, 10 TrueType fonts, 136 Adobe PostScript Type 1 fonts
Barcode	UPC-A, UPC-E, EAN/JAN-8, EAN/JAN-13, Interleaved 2of5, Code39, Code128, EAN/UCC-128, CODABAR, ZIP+4 POSTNET: PDF417/QR code 2D barcodes

PRINT QUALITY

Resolution	ProQ4800 Multi-level technology, 1200 x 1200dpi
Enhancements	Auto Colour Balance, Auto Registration, Auto Media Detect

PAPER HANDLING

Paper capacity	Tray 1: 530 sheets of 80gsm; Multi-purpose tray: 300 sheets of 80gsm
Paper capacity optional trays	Tray 2: 530 sheets of 80gsm; Tray 3: 530 sheets of 80gsm; High Capacity Feeder: 1,590 sheets of 80gsm
Maximum paper capacity	2,950 sheets of 80gsm
Paper sizes	Tray 1/2/3: A3, SRA3 (up to 330 x 457mm), SRA4, A4, A5, A6, B4, B5, B6; Multi-purpose tray: A3, SRA3, SRA4, A4, A5, A6, B4, B5, B6 Custom size: Width 64 - 330mm Length 89 - 1,321mm; High Capacity Feeder: A3, SRA3 (up to 328 x 457mm), SRA4, A4, A5, A6, B4, B5, B6
Paper weight	Tray 1/2/3: 52 to 320gsm; Multi-purpose tray: 52 to 360gsm; Duplex: 64 to 320gsm; High Capacity Feeder: 52 to 320gsm
Duplex	Standard
Paper output	610 sheets face down tray, 300 sheets face up tray

OPERATOR PANEL

LCD Display	10.9cm Colour Graphic LCD (480x272 dots)
--------------------	--

GENERAL FEATURES

Memory	Standard RAM: 2GB; Maximum RAM: 2GB
	Optional Hard Disk Drive: 160GB
Environment	Operating temperature/humidity: 10°C to 35°C (17°C to 27°C recommended) / 10% to 85% RH (50% to 70% RH recommended)
	Storage temperature/humidity: -10°C to 43°C, 10% to 90%RH
Power supply	Single phase 220 to 240VAC, frequency 50Hz +/- 2Hz
Power consumption	Typical: 1100W; Max: 1600W; Idle: 40W (average); Power Save: <34W; Deep Sleep: <4W; Off Mode: <0.5W
Noise level	Operating: 57dB(A); Standby: 32dB(A) or less; Power save: Inaudible
Dimensions (HxWxD)	640 x 699 x 625mm
Weight⁴	110.8kg
Duty Cycle	Average: 25,000 pages/month; Maximum: 300,000 pages/month
Warranty	3 years extended warranty upon registration within 30 days of purchase
Product order number	Pro9541dn: 46291801

ACCESSORIES (ORDER NUMBERS)

2nd/3rd paper tray	45530703
2nd/3rd paper tray with castor	45530903
High Capacity Feeder	45530803
Hard Disk Drive	160GB: 44622302
EFI Fiery XF 5.0	Contact Oki for more information
Cabinet	45980001
Banner Tray	45531003
Spot Colour Kit ⁵	White: 45531313; Clear: 45531413
Spot Colour Kit Case	96501483

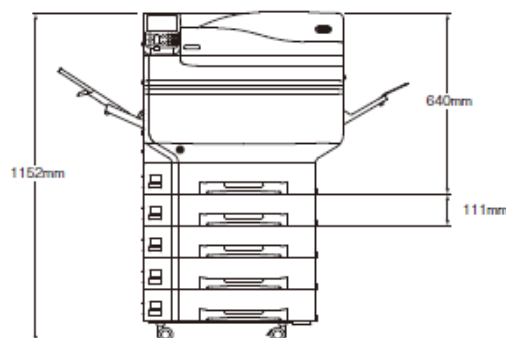
CONSUMABLES (ORDER NUMBERS)

Toner cartridge* (42,000 pages)	Cyan: 45536555; Magenta: 45536554; Yellow: 45536553
Toner Cartridge* (51,000 pages)	Black: 45536556
Toner Cartridge (10,000 pages)	White: 45536425
Toner Cartridge (20,000 pages)	Clear: 45536428
Image drums** (40,000 pages)	Cyan: 45103721; Magenta: 45103720; Yellow: 45103719; Black: 45103722
Image drums** (20,000 pages)	White: 45103723 Clear: 45103724
Transfer Belt (150,000 pages)	45531213
Fuser Unit (150,000 pages)	45531113
Waste Toner Box (40,000 pages)	45531503

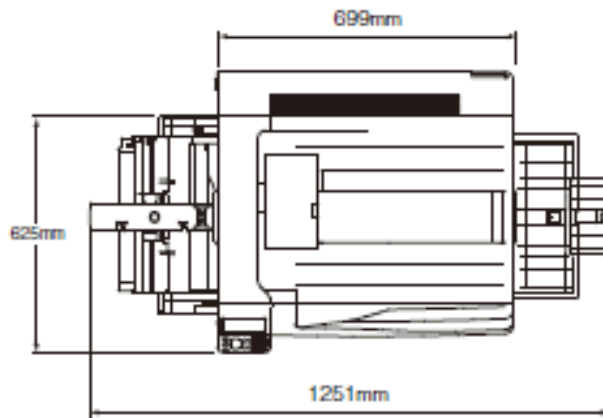
*Toner: Number of A4 pages @ ISO coverage. Printer shipped with toner for 24,000 pages CMY and 38,000 pages K @ ISO.

**Drum: Average number of A4 pages printed.

Side View



Top View



SYSTEM REQUIREMENTS (PC's)

Operating System*	Windows 10 (64 Bit) or Later
Processor	i7 - 2.6 GHz or faster
Memory (RAM)	Min. 8GB or More
Video Card and Monitor(VGA)	1280x1024 or Higher Resolution is Recommended
Working Hard Disk Space	1 TB SSD or more recommended
Graphics Card	2GB or more (Optional)
Optical drive	DVD-ROM
Other requirements	Ethernet connection for network capable printers
	Available USB ports and PCIE Slot
Recommended Brand	Lenovo / Dell

* Note: You can use a laptop or desktop computer

* Use the original operating system and software. If you are using pirated operating system or software, we are not responsible for any damage to Machine workings, and also the warranty terms will become void.

**Print Smart,
Print OKI!**

Terms and Conditions


1. Payment to be made in QR currency.
2. Payment Terms: As mentioned in Quotation.
3. Bank Details:

Bank Name	Branch	Beneficiary Name	Acc #	Swift Code
Qatar Islamic Bank	Al Khour Branch	Digital Star Qatar	0111453200015	QISB - QAQA
IBAN: QA16QISB000000000111453200015				


4. Bank Charges: Any bank charges relevant to the above transactions will be to your account.
5. Any charges, duties, taxes or levies at the ports of entry will be to our account.
6. The charges of loading, boarding and local conveyance of the technician will be to our account.
7. Any required electrical, mechanical and civil site preparation should be done by the customer according to our engineer's requirements.
8. Digital Star Qatar will not be held responsible for delays caused by any damage in the equipment due to shipment, unloading accidents and any related reasons, which is beyond our control.
9. The warranty will be 12 months from the date of installation from Digital Star Qatar. Wear and tear, consumables are exempted and warranty can be claimed only if you use the Inks and Services from Digital Star Qatar.
10. Service will be free of cost within 12 months from the date of installation.
11. Any claim will be invoice directly to you then we will send for claiming procedure which will take 45-60 days, if the claim got approved credit note will issued directly.
12. Delivery: As mentioned in quotation

DIGITAL STAR QATAR
 ديجيتال ستار قطر

DOHA | QATAR | P O BOX: 47663

 +974 448 34 486

 info@digitalstarq.com

 +974 441 63 788

 www.digitalstarq.com