

MATRIX LASER

MINI HANDHELD LASER MARKING MACHINE



MXL-L 20/30W

Authorized Dealer

DIGITAL STAR QATAR
ديجيتال ستار قطر

About Us

Source of Digital Solutions...

Welcome to Digital Star, your trusted partner in the world of cutting-edge printing solutions. As a leading printing machines, materials, and ink authorized dealer in Doha - The State of Qatar, we pride ourselves on delivering state-of-the-art technology that empowers to achieve unparalleled levels of efficiency and quality.

At Digital Star, we understand the pivotal role that printing machinery plays in the success of your operations. With a commitment to innovation and excellence, we curate a diverse range of top-tier printing machines to meet the unique needs of our clients. Our product line-up reflects the latest advancements in the industry.

As a responsible printing machines supplier, we prioritize sustainability. Our commitment to eco-friendly practices is reflected in the products we offer, promoting energy efficiency and environmentally conscious manufacturing processes. When you choose Digital Star, you're not just investing in cutting-edge technology - you're partnering with a company that values the planet as much as your success.

PRODUCT OVERVIEW

Laser Protective Cover
Safety protection design, reduce the damage caused by laser beams to the human eye.

Touch Screen Protection Cover
Higher level of safety protection. Solved risk issues such as falling, collision etc.,

Blower Unit Handle
Compact and portable, easy to use

7 Inch Touch Screen
HD-LCD Screen is equipped with a stylus making operation simple and efficient

Hidden Field Lens

The field mirror adopts a hidden design, which can reduce accidental contact during use & transportation, protect the field mirror, and improve its service life. The handle adopts a more ergonomic design & adhesive wrapping process, combined with anti slip patterns, to increase friction and give a better sense of use.

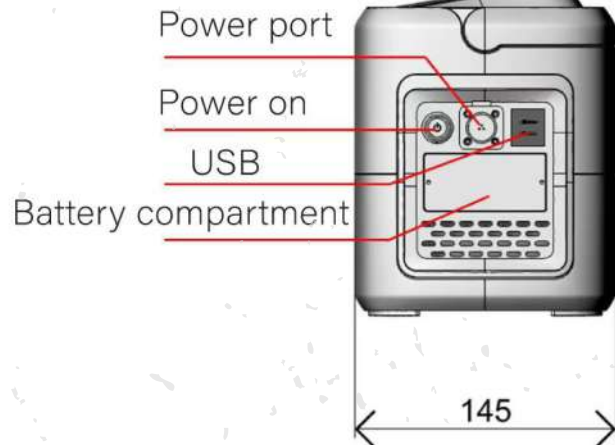
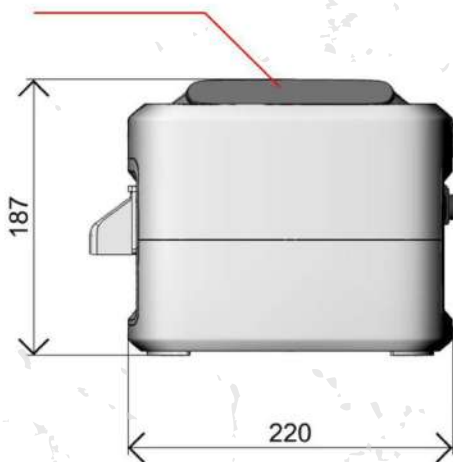
Marking Samples



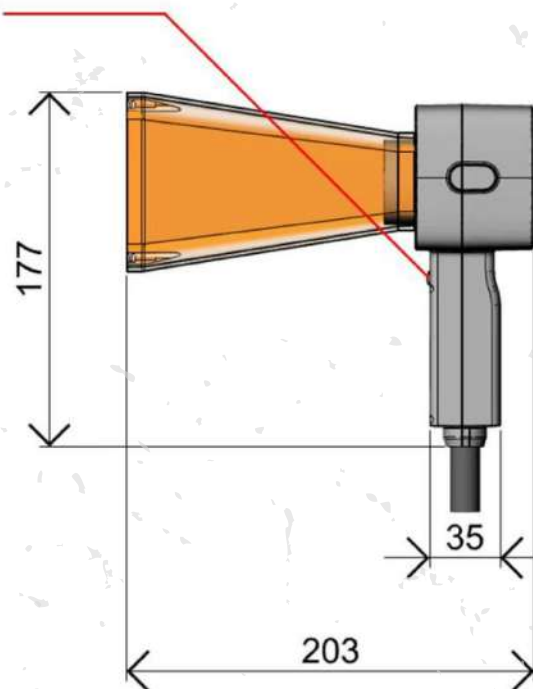
REPLACEABLE BATTERY

A technical reform has been made to address the issue of the battery life of handheld laser marking machines in the market, which can be equipped with 11600mA high capacity detachable backup batteries for unlimited battery life

7 inch touch screen



Laser marking button



Environment Required:

External Temperature: 0°C-45°C
Humidity ≤95% | Non-Condensing, No Vibration

PRODUCT SPECIFICATION

Place of Origin		MXL-L 20W	MXL-L 20 (Lithium)	MXL-L 30W	MXL-L 30 (Lithium)
Whole Machine Characteristics	Machine Material	ABS Plastic			
	Laser	Fiber laser generator More than 100,000 hours of service life			
	Laser wavelength	1064 nm			
	Actual output power	≥ 20W		≥ 30W	
	Marking Speed	≤12000mm/s			
	Main control	7 inch touch controller			
	Cooling System	Normal Temperature Air Cooling			
Spray Code Parameters	Focusing lens	Focal length 183.5mm			
	Repeat Accuracy	ABS Plastic			
	Machine Material	0.003mm			
	Marking Range	110mm x 110mm (or customized)			
	Positioning method	Red Light Indication			
	No.of Lines Char. Mark	Any line within the marking range			
Software Introduction	Multi-language	English, French, Spanish, German, Chinese, Russian, Arabic and 21 others			
	Management rights	Multi-user administrative privileges			
	Operating System	4701 system			
	Reserved signal	Start Printing, Print Status, Print Completion, Fault Alarm			
	Data protection	With power-down data protection function			
Support Type	Font	Chinese and English, numeric, traditional Chinese and other standard fonts			
	File Format	BMP/DXF/HPGL/JPEG/PLT			
	Bar Code	CODE39, CODE 128, CODE 12 6, OR, Truth Code (optional)			
Overall Parameter	Power supply	Standard: External power supply 220V/ 50Hz (Optional: Built in battery 11600mA)			
	Power consumption	200W			
	Lithium standby time	About 12 Hours			
	Machine net weight	20W Plug in model, Chassis: 4.5Kg Head: 1.1Kg			
		20W Lithium-ion model, Chassis: 6.2Kg Head: 1.1Kg			
	Machine net weight	30W Plug in model, Chassis: 5.5Kg Head: 1.1Kg			
		30W Lithium-ion model, Chassis: 7Kg Head: 1.1Kg			

*Specifications are subject to change without prior notice, all rights reserved.

Terms and Conditions

1. Payment to be made in QR currency.
2. Payment Terms: As mentioned in Quotation.
3. Bank Details:

Bank Name	Branch	Beneficiary Name	Acc #	Swift Code
Qatar Islamic Bank	Al Khour Branch	Digital Star Qatar	0111453200015	QISB - QAQA
IBAN: QA16QISB000000000111453200015				

4. Bank Charges: Any bank charges relevant to the above transactions will be to your account.
5. Any charges, duties, taxes or levies at the ports of entry will be to our account.
6. The charges of loading, boarding and local conveyance of the technician will be to our account.
7. Any required electrical, mechanical and civil site preparation should be done by the customer according to our engineer's requirements.
8. Digital Star Qatar will not be held responsible for delays caused by any damage in the equipment due to shipment, unloading accidents and any related reasons, which is beyond our control.
9. The warranty will be 12 months from the date of installation from Digital Star Qatar. Wear and tear, consumables are exempted and warranty can be claimed only if you use Services from Digital Star Qatar.
10. Service will be free of cost within 12 months from the date of installation.
11. Any claim will be invoice directly to you then we will send for claiming procedure which will take 45-60 days, if the claim got approved credit note will issued directly.
12. Delivery: As mentioned in quotation

DIGITAL STAR QATAR
 ديجيتال ستار قطر

DOHA | QATAR | P O BOX: 47663